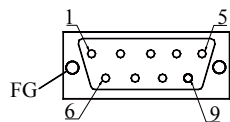


KA シリーズデジタルスケール 寸法、信号仕様

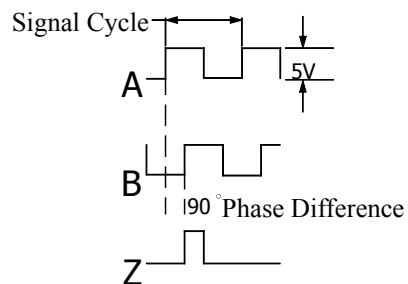


Applicable to: 9 pin socket TTL signal Output.

Pin Position	1	2	3	4	5	6	7	8	9
Signal	Empty	OV	Empty	Empty	Empty	A	+5V	B	Z
Color	—	Black	—	FG	—	Green	Red	Orange	White

FG: Shield connected to metal casing.

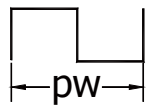
TTL signal Output:



Encoder Zero Position: 1 every 50mm

Output pulse signal cycle of encoder PW

Resolution	Equivalent per pulse PW
5 μ m	20 μ m
1 μ m	4 μ m
0.5 μ m	2 μ m



Overall Dimension of KA-300 Encoder

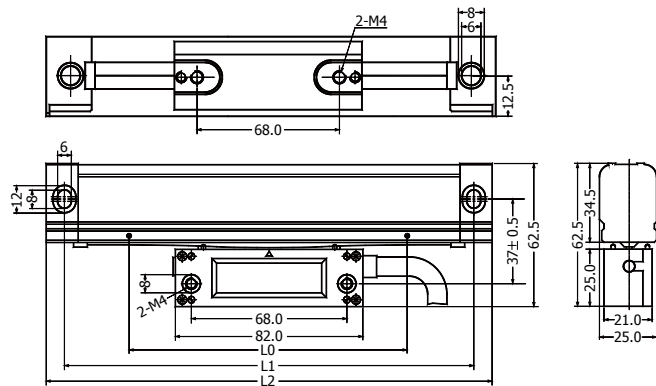


Fig.16

Model	L0	L1	L2	Model	L0	L1	L2
KA300-70	70	160	176	KA300-570	570	660	676
KA300-120	120	210	226	KA300-620	620	710	726
KA300-170	170	260	276	KA300-670	670	760	776
KA300-220	220	310	326	KA300-720	720	810	826
KA300-270	270	360	376	KA300-770	770	860	876
KA300-320	320	410	426	KA300-820	820	910	926
KA300-370	370	460	476	KA300-870	870	960	976
KA300-420	420	510	526	KA300-920	920	1010	1026
KA300-470	470	560	576	KA300-970	970	1060	1076
KA300-520	520	610	626	KA300-1020	1020	1110	1126

Overall Dimension of KA-500 Encoder

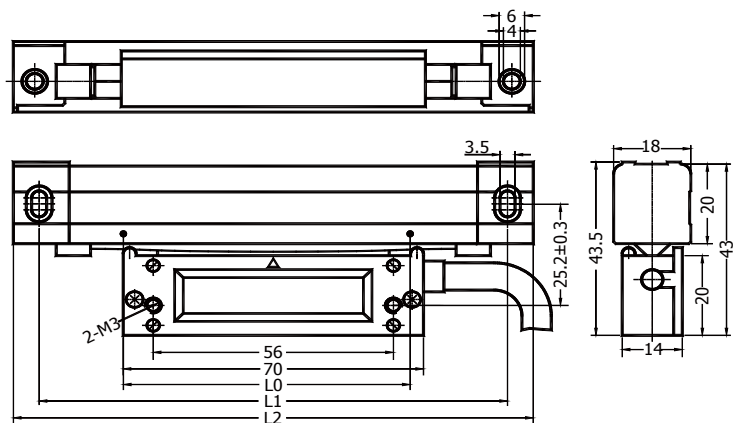


Fig.18

Model	L0	L1	L2	Model	L0	L1	L2
KA500-70	70	172	182	KA500-320	320	422	432
KA500-120	120	222	232	KA500-370	370	472	482
KA500-170	170	272	282	KA500-420	420	522	532
KA500-220	220	322	332	KA500-470	470	572	582
KA500-270	270	372	382				

L0: Effective measuring length of encoder L1: Dimension of encoder mounting hole L2: Encoder overall dimension

Overall Dimension of KA-600 Encoder

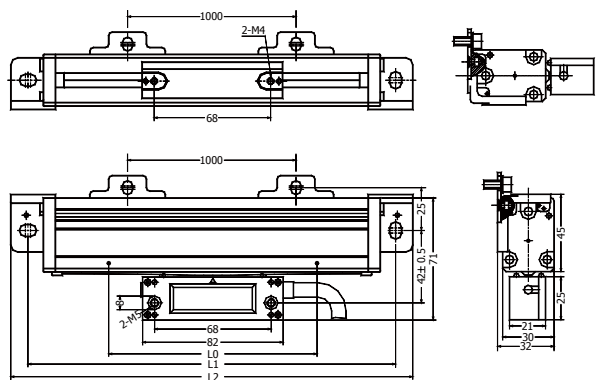


Fig.17

Model	L0	L1	L2	Model	L0	L1	L2
KA600-1000	1000	1150	1170	KA600-2100	2100	2250	2270
KA600-1100	1100	1250	1270	KA600-2200	2200	2350	2370
KA600-1200	1200	1350	1370	KA600-2300	2300	2450	2470
KA600-1300	1300	1450	1470	KA600-2400	2400	2550	2570
KA600-1400	1400	1550	1570	KA600-2500	2500	2650	2670
KA600-1500	1500	1650	1670	KA600-2600	2600	2750	2770
KA600-1600	1600	1750	1770	KA600-2700	2700	2850	2870
KA600-1700	1700	1850	1870	KA600-2800	2800	2950	2970
KA600-1800	1800	1950	1970	KA600-2900	2900	3050	3070
KA600-1900	1900	2050	2070	KA600-3000	3000	3150	3170
KA600-2000	2000	2150	2170				

L0: Effective measuring length of encoder L1: Dimension of encoder mounting hole L2: Encoder overall dimension

L0: Effective measuring length of encoder L1: Dimension of encoder mounting hole L2: Encoder overall dimension

Overall Dimension of KA-200 Encoder

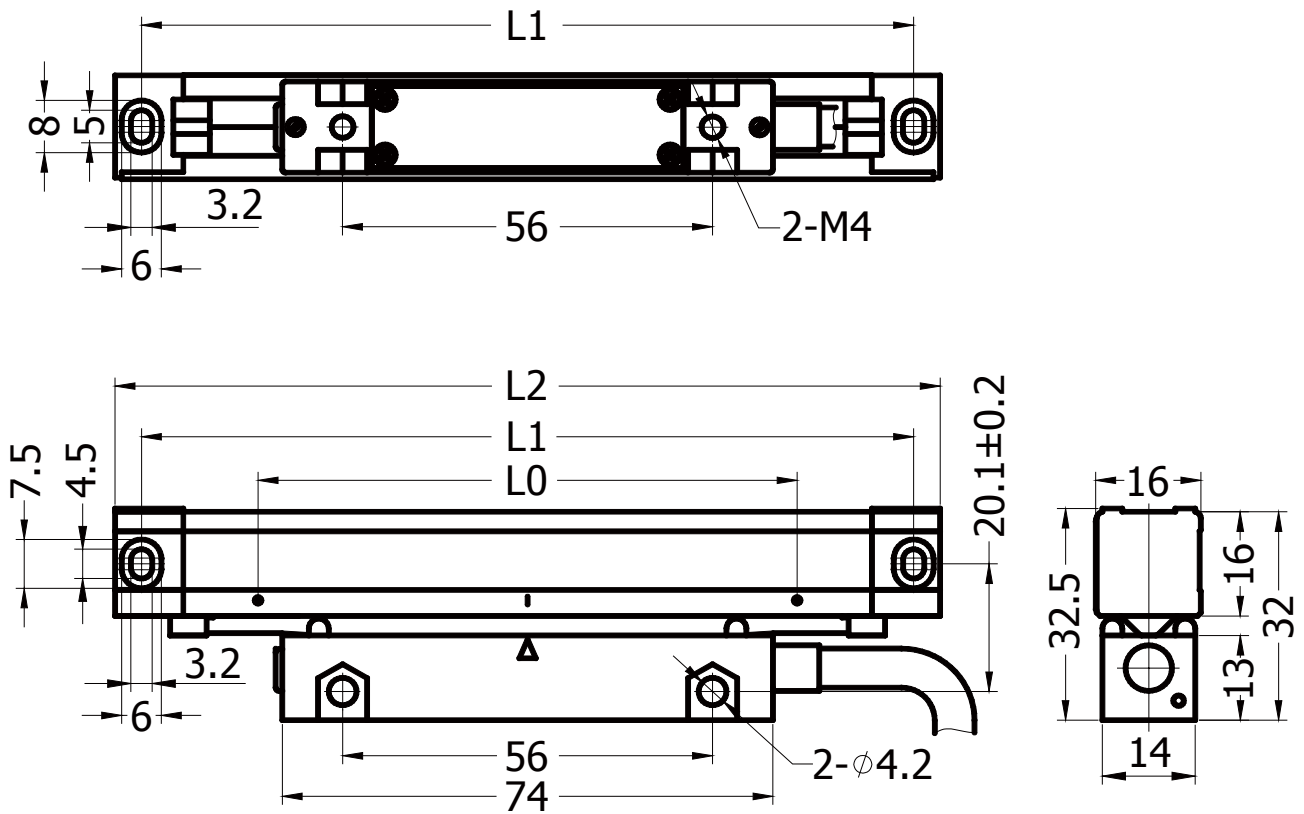


Fig.19

Model	L0	L1	L2	Model	L0	L1	L2
KA200-30	30	125	133	KA200-160	160	255	263
KA200-40	40	135	143	KA200-170	170	265	273
KA200-50	50	145	153	KA200-180	180	275	283
KA200-60	60	155	163	KA200-190	190	285	293
KA200-70	70	165	173	KA200-200	200	295	303
KA200-80	80	175	183	KA200-220	220	315	323
KA200-90	90	185	193	KA200-240	240	335	343
KA200-100	100	195	203	KA200-260	260	355	363
KA200-110	110	205	213	KA200-280	280	375	383
KA200-120	120	215	223	KA200-300	300	395	403
KA200-130	130	225	233	KA200-320	320	415	423
KA200-140	140	235	243	KA200-340	340	435	443
KA200-150	150	245	253	KA200-360	360	455	463

L0: Effective measuring length of encoder L1: Dimension of encoder mounting
 L2: Encoder overall dimension